

Rosco Pole Mount

The Rosco Pole Mount allows for mounting Rosco Projectors and Rosco Cube products to interior or exterior round poles.

KEY FEATURES

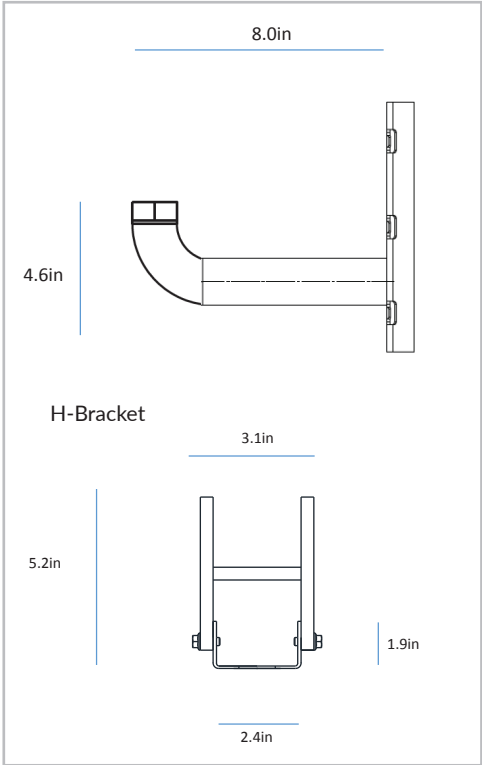
- Powder coated stainless-steel hardware allows for exterior use under even the harshest of conditions.
- 1-3/5" (42mm) diameter tubing provides room for power cord to maintain a clean look.
- Compatible with all Rosco Projectors* and Rosco Cube products.
- Uses three stainless steel bands with clamps for easy installation in a variety of locations (sold separately).

*H-Bracket Mount recommended for Image Spot (sold separately)



SPECIFICATIONS

Application:	Rosco Projector and Cubes, interior and exterior installations
Dimensions:	8.5" (216mm) overall length 8" (203mm) from pole to mount head 1.6" (42mm) diameter round tubing
Hole Diameter:	.375" (9.5mm)
Material:	Powder coated steel
Maximum Recommended Load:	23 lbs. (10.4kg)



Rosco Pole Mount	
Item Code	Description
296000005101	Rosco Pole Mount accessory, black
296000005102	Rosco Pole Mount accessory, white
296000005103	3-pack 24" SS Strap Kit for Rosco Pole Mount
296000005108	Rosco H-Bracket, black (for Image Spot)
296000005109	Rosco H-Bracket, white (for Image Spot)