

Available for Braq, Miro and Pica Cube™ Fixtures

Track lighting is a standard item in the lighting design tool box. It is ideal for architectural, themed environment, low ceiling height, retail and museum applications where discrete, reconfigurable, low profile fixtures and a clean look are required. Rosco Track provides an incredible solution for architectural installations and for reconfigurable performance spaces. The DMX data allows dynamic control of lighting, colour temperature (white light) or colour mixing as desired.



Rosco Track takes track lighting to the next level by combining power and full speed DMX512 control in a single track, and track adapters allow you to integrate and control any Braq, Miro and Pica Cube™ fixture.

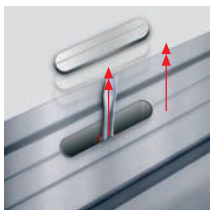
The specification grade surface mounted track system contains 7 conductors and includes 3 uniquely selectable power circuits. A 22 gauge nickel plated copper data bus provides full speed DMX512 control of lighting fixtures and provides control signal at any point along the track. The track consists of an extruded aluminium profile which can be easily cut to length on site. The track also has pre-punched holes at 333mm spacing for mounting.

KEY FEATURES



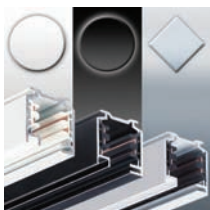
Easy to Cut on Site

Any given profile can be easily cut to length on site. It is not necessary to cut back or bend the copper wire.



Mounting Points

The 3 circuit track has pre-punched holes 1/4" (6mm) x 1" (25mm) for surface mounting. The holes are spaced 333 mm on center and can be easily pushed out using a screwdriver.

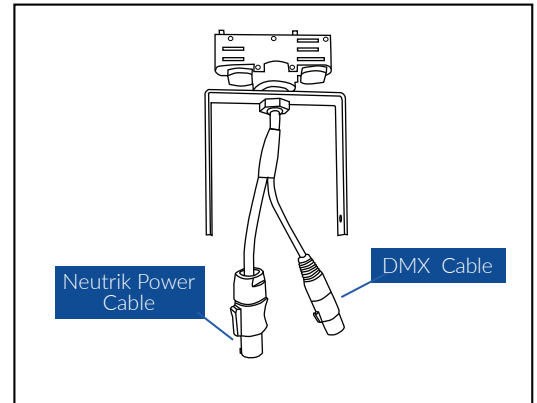


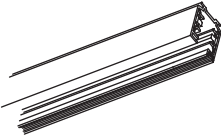
Colours and Finish

All system components and adapters are available in white or black standard colours. Silver colour and custom colours are available upon request.

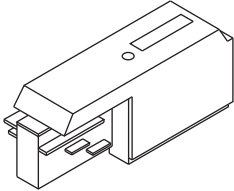
Surface Track with Data Bus Ordering Information

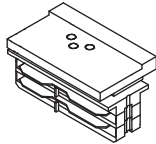
Track adapters for Miro or Braq Cube contain a 5-pin XLR connector and a Neutrik Powercon. Track adapters for Pica Cube contain a single Cat5 cable, providing both power and data to any Pica Cube fixture. Adapters are also available without data bus contacts to provide a means to utilise the 2nd and 3rd circuits of the track without DMX control.

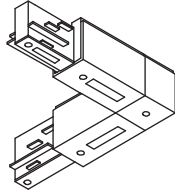


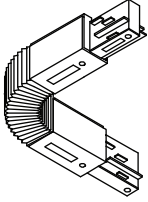
	Three Circuit Data Track			
		1M	2M	3M
White	525911110101	525911110201	525911110301	525911110401
Black	525911110102	525911110202	525911110302	525911110402
Silver	525911110103	525911110203	525911110303	525911110403

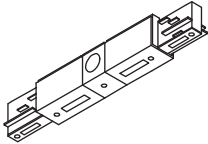
	Track Adapter with Power + DMX		
	Miro Cube®	Braq Cube®	Pica Cube™
White	525911100001	525911100009	515911100026
Black	525911100002	525911100008	515911100029
Silver	525911100003	Custom Order	Custom Order

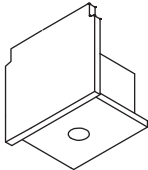
		Ground Right	
Live End Feed - Ground Left		White	525911130001
White	525911120001	Black	525911130002
Black	525911120002	Silver	525911130003
Silver	525911120003		

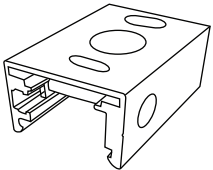
	
Straight Coupler - Track Joiner	
White	525911150001
Black	525911150002
Silver	525911150003

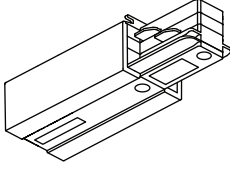
		Ground Right	
L-Coupler - Ground Left		White	525911180001
White	525911170001	Black	525911180002
Black	525911170002	Silver	525911180003
Silver	525911170003		

	
3 Circuit Flex-Coupler	
White	525911190001
Black	525911190002
Silver	525911190008

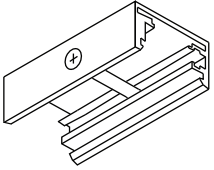
	
Straight Coupler - Electrical Feed	
White	525911160001
Black	525911160002
Silver	525911160003

	
Dead End Cap	
White	525911140001
Black	525911140002
Silver	525911140003


	
Mounting Clip w/slotted hole 14x7mm	
White	525911200001
Black	525911200002
Silver	525911200003




Terminated End - Ground Left		Ground Right
White	525911120001	525911130001
Black	525911120002	525911130002
Silver	525911120003	525911130003



Pendant Clip	50mm	100mm
White	525911220001	525911210001
Black	525911220002	525911210002
Silver	525911220003	525911210003



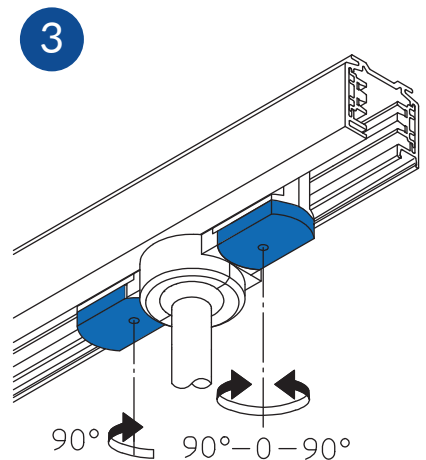
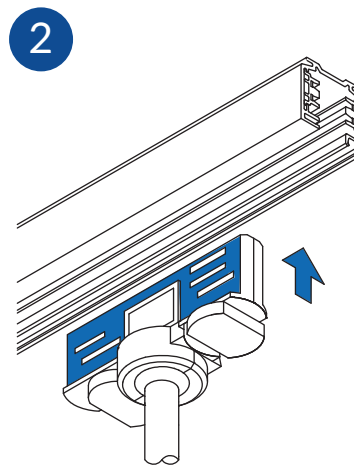
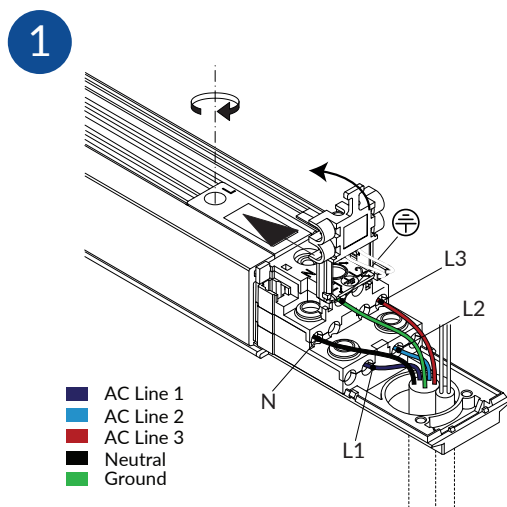
Pendant Rod 13mm	60cm	120cm
White	525911230001	525911240001
Black	525911230002	525911240002
Silver	525911230003	525911240003



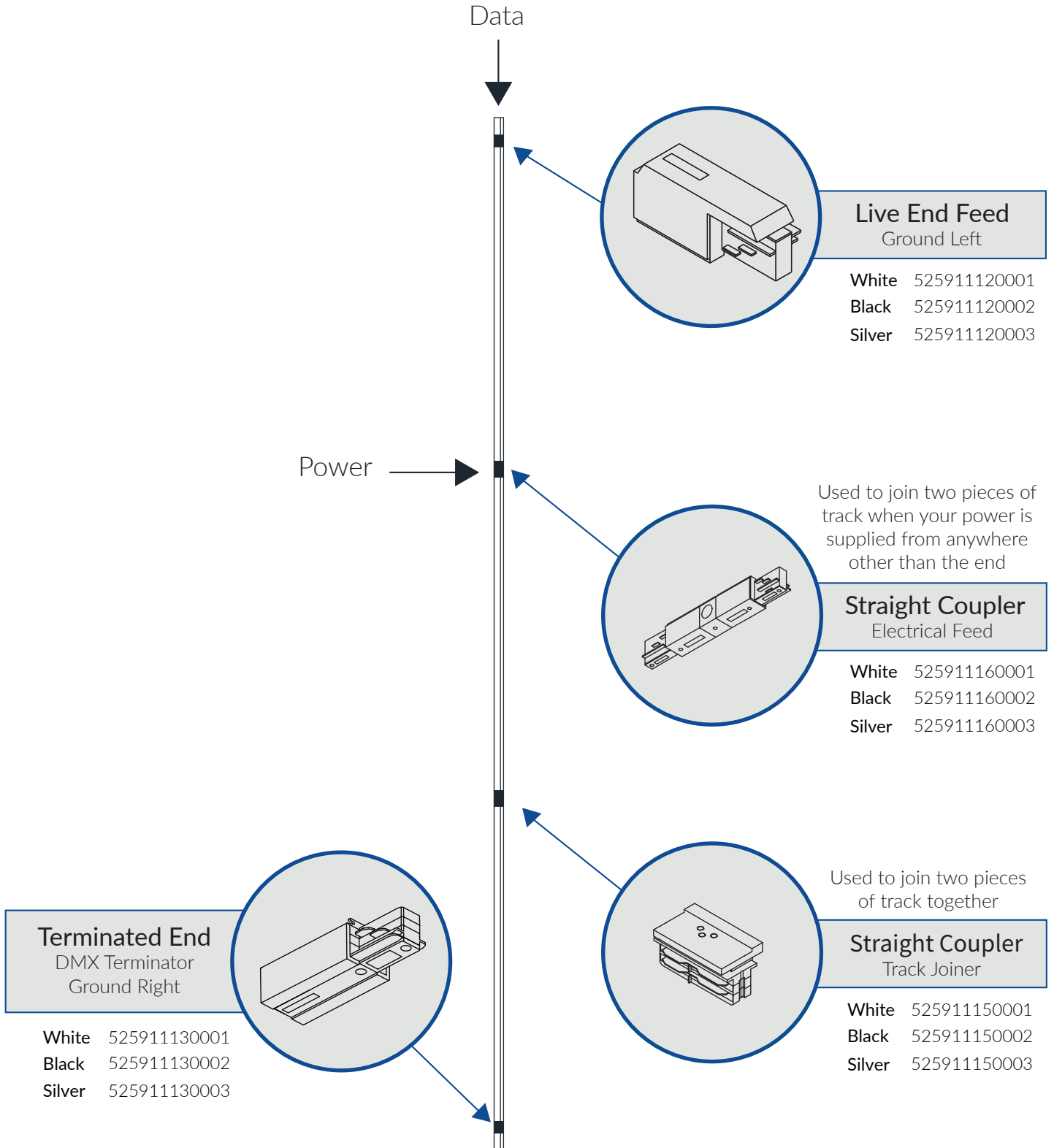
Suspension Steel Wire	
L=1,5M	525911250001
L=3,0M	525911250002
L=6,2M	525911250003

Installation Directions

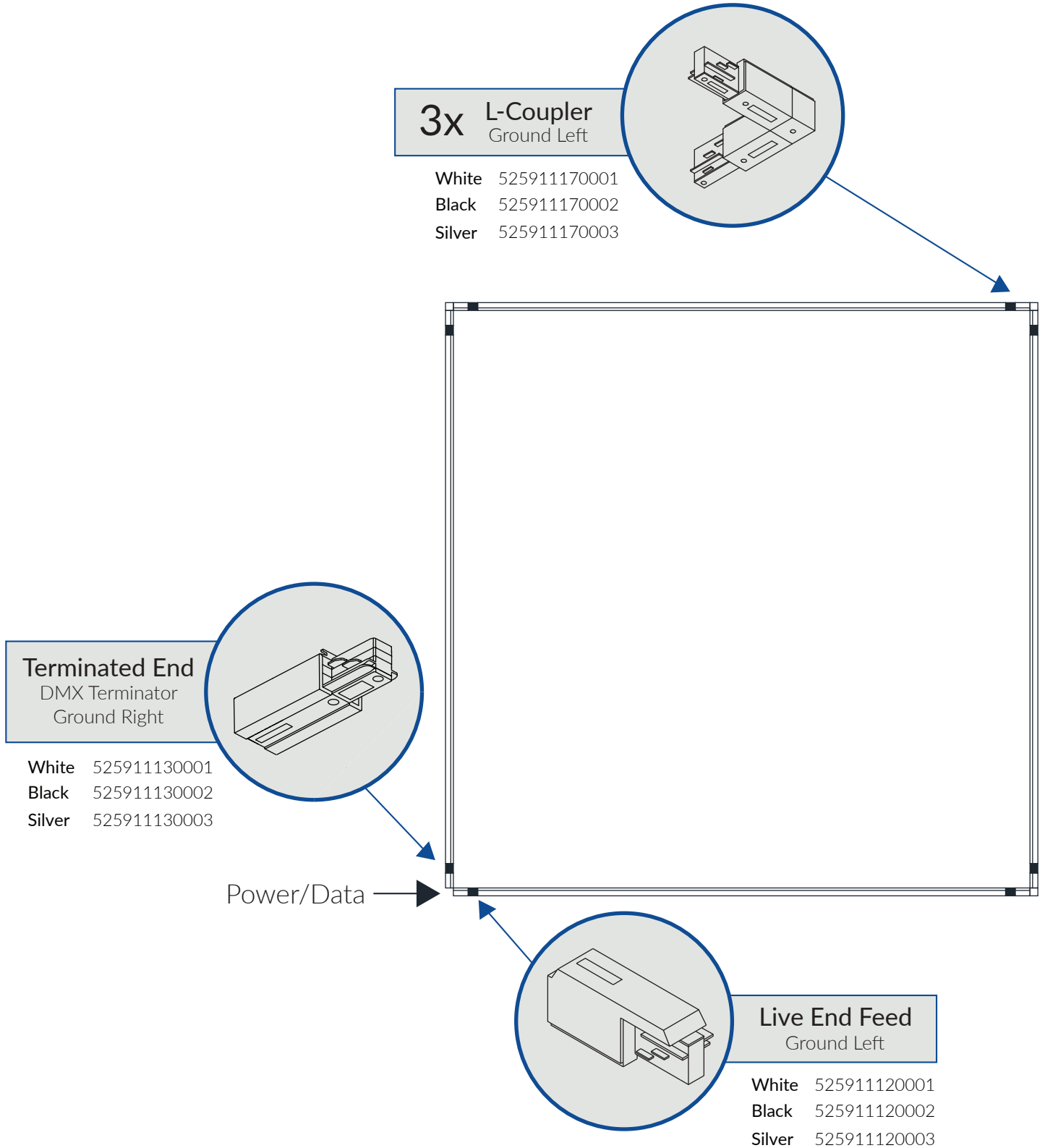
- 1 Open live end feed and connect Line 1, Line 2 (Optional), Line 3 (Optional) and DMX data wires using terminal screws.
- 2 Insert head into the track ensuring data pins are in line with the data bus.
- 3 Rotate knob A 90-degrees to connect to neutral circuit 0. Pull out knob B and rotate clockwise to connect to neutral circuit 0; turn counter-clockwise to connect to circuit 3. Push knob B and rotate clockwise to connect to circuit 1; rotate counter-clockwise to connect to circuit 2.



Straight Track Configuration



Square Track Configuration



S Track Configuration

